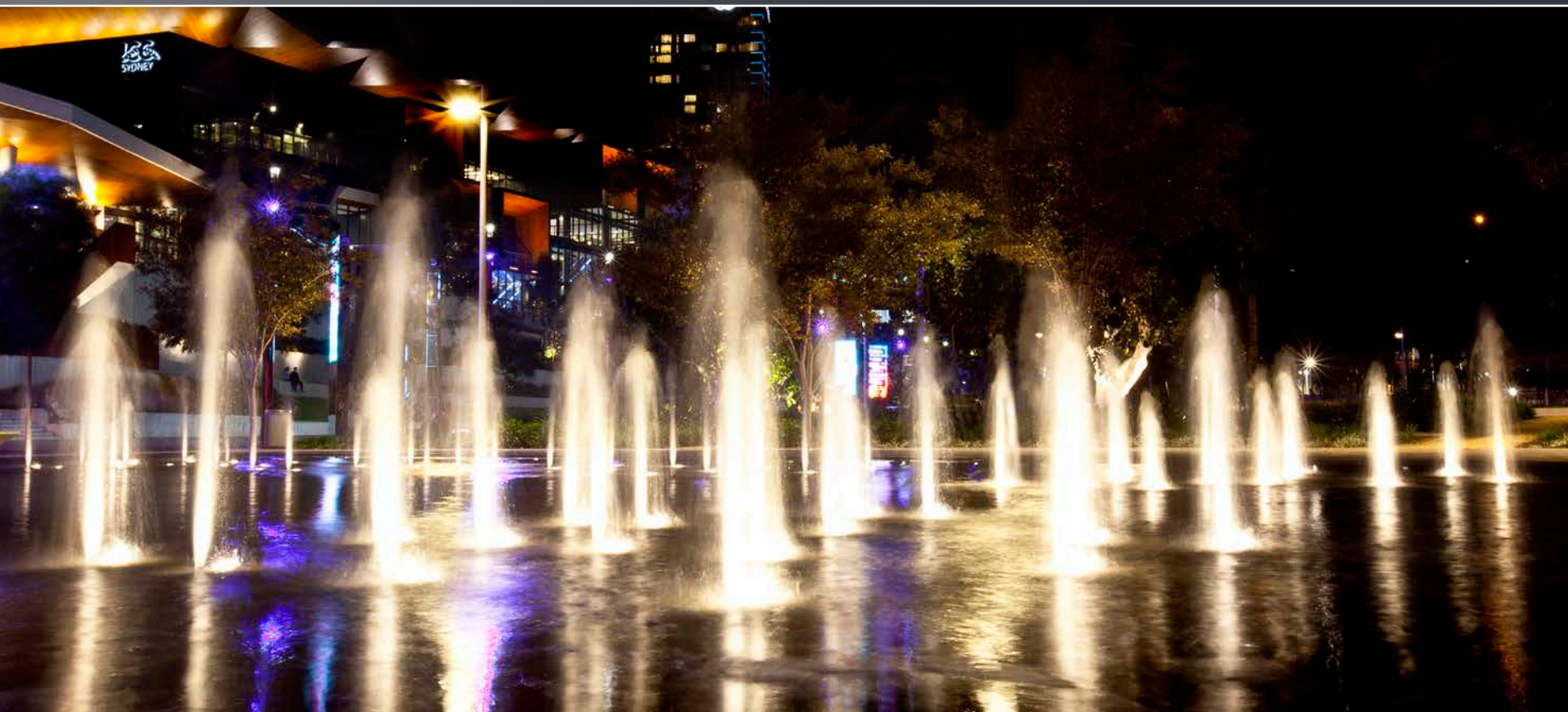


LuxR LED BY DESIGN



CATALOGUE

Contemporary modular light fixtures powered by the LuxR™ light engine

LUXR SERIES

- Advanced lighting, designed by experienced lighting specialists
- Ultra efficient LED light engine with industry leading Cree™ LEDs
- Plug-in LED board for simple upgrade or replacement
- Modular construction for easy maintenance
- LEDShield series wiring electronic protection bypasses non-functioning LEDs
- CoolTouch engineering means the luminaire will never be too hot to touch
- Integral driver option for M2 & M4 to complement 12 VAC magnetic transformer systems
- IP68 fully waterproof to 1 bar (10m) rating on the majority of products
- Dimmable
- UL1838 & 2108 accreditation for North America
- Designed and manufactured in New Zealand
- Body warranty of ten years for copper and stainless steel and five years for aluminium
- Electronics warranty of five years

All specifications outlined in this catalogue supersede all specifications described in any previously published catalogue.



MODULAR CONSTRUCTION



CoolTouch
Safe operating temperature

Interchangeable optics



LEDShield
Series failure protection



Interchangeable LED module

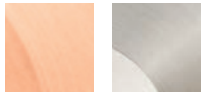


Removable integral driver module (optional)



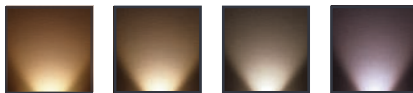
MICRO

Finishes



Natural Copper 316 Stainless Steel

LED Colours



Warm White 2700°K Warm White 3000°K Neutral White 4000°K Cool White 5000°K



Red Green Blue Amber

Beam



16° 37° 84° Oval 13°+40°



Diamond 180 & 360 Micro Step & Path



The Micro range are among the world's smallest landscape luminaires available today. The reliability and convenience of the larger M1 is shared in this range of miniature versions. Ingress rated to IP68. Powered by the 1 watt LuxR™ light engine these luminaires can also be under-driven with as little as 60mA.

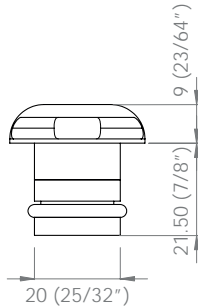
Specifications	
Power:	1 Watt
Input Current:	< 350mA
Forward Voltage:	3vF
CRI:	90 CRI
Luminaire Efficacy:	70 Lm/W @ 350mA - Delivered from luminaire with unobstructed beam
Luminaire Options:	Spike Spot, Spike Spot Glare Guard, Spike Diamond 180° and Spike Diamond 360° Recessed Spot, Darklighter, Steplight and Pathlight
Standards:	IP68, LM79, CE, UL1838 & 2108
Light Engine:	Plug-in dimmable module equipped with the Cree® XPG3 LED
Driver:	Integral 12VAC driver in-cable or external remote driver.

MICRO

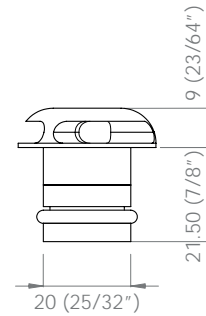
STEPLIGHT - PATHLIGHT - RECESSED SPOT



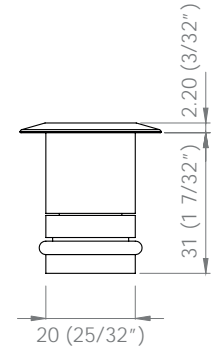
Micro Steplight, Stainless steel



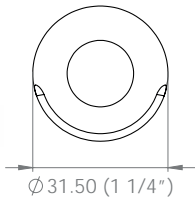
Micro Pathlight, Stainless steel



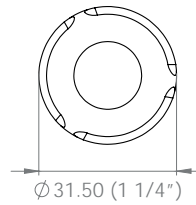
Micro Recessed Spot, Stainless steel



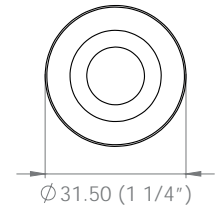
Micro Steplight, Copper



Micro Pathlight, Copper



Micro Recessed Spot, Copper



The Micro Recessed Steplight and Pathlight create a low illumination to mark boundaries and edges or light paths and steps. The Micro Recessed Spot is ideal for recessing in the ground

to uplight poles and walls or install into a wall to cross light paths and patios. These products can be specified with mounting accessories to simplify installation and add versatility.

Accessories:

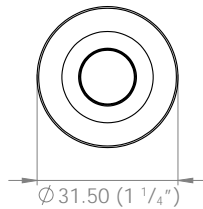
- 60-350mA adjustable constant current remote driver (MP15)
- In-Cable 12 Volt AC integral driver
- Mounting Accessories (please see accessories on page 35-36)



DARKLIGHTER - SPIKE SPOT



Micro Darklighter, Stainless steel



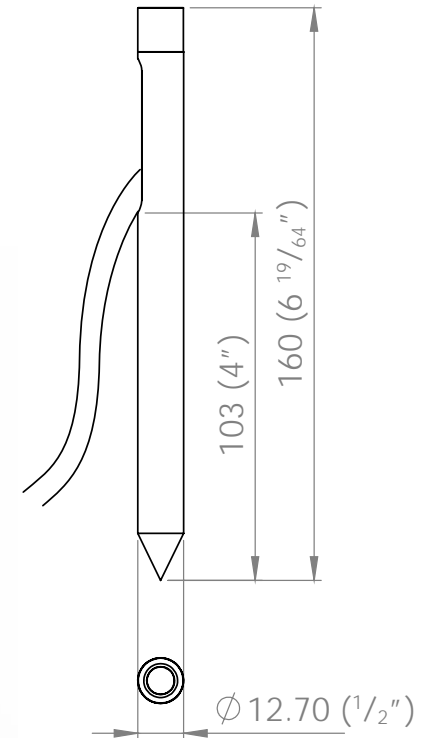
Micro Darklighter, Copper



Micro Spike Spot, Copper



Micro Spike Spot, Stainless steel



The Micro Darklighter works much like the Micro Recessed Spot. However it has a deep flange with an internal baffle to recess the light source deep into the product which greatly reduces glare.

The Micro ground spikes are particularly easy to install. Simply push into the soil and orient as required. Additionally a shallow trench will easily conceal the cabling if desired.

Accessories:

- 60-350mA adjustable constant current remote driver (MP15)
- In-Cable 12 Volt AC integral driver
- Mounting Accessories (please see accessories on page 35-36)



MICRO

DIAMOND 180° - DIAMOND 360°

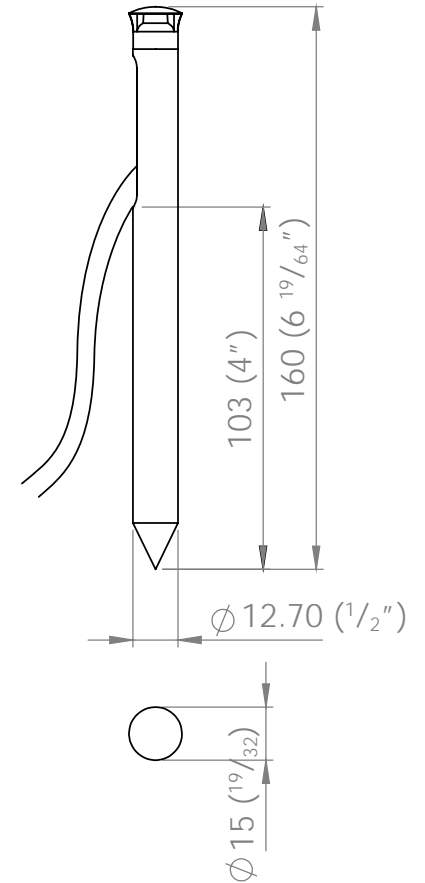


Micro Spike Spot Glare Guard, Copper

Micro Spike Diamond 180°, Stainless



Micro Spike Diamond 360°, Copper



The Micro Spike Spots can be used as small subtle up lighters placed under shrubs and small trees. These products can be specified with 4 different beam angles. Please view the LuxR website for more information.

The Micro Diamond projects light slightly upward from horizontal to illuminate the underside of foliage. The Micro Diamond 180 has a 50% aperture to project light back up into foliage and box hedges without glare, illuminating pathways and viewpoints.

Accessories:

- 60-350mA adjustable constant current remote driver (MP15)
- In-Cable 12 Volt AC integral driver

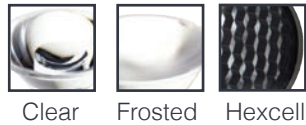


M 1

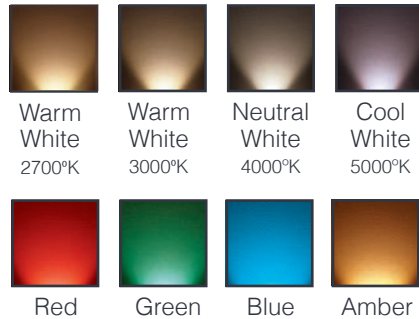
Finishes



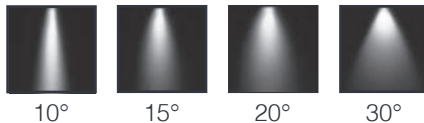
Lens Cover



LED Colours



Beam



The M1 is a range of very compact, contemporary LED luminaires powered by a 1 Watt LuxR™ light engine. The modular design was developed to meet the challenge of delivering high quality practical accent lighting with maximum energy efficiency and a long, maintenance free life.

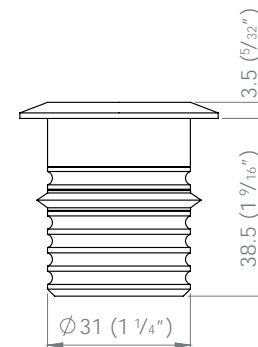
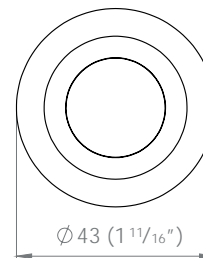
Specifications	
Power:	1 Watt
Input Current:	350mA
Forward Voltage:	≈ 3V
CRI:	90 CRI
Luminaire Efficacy:	80 Lm/W @ 350mA - Delivered from luminaire with unobstructed beam
Luminaire Options:	Recessed flange options: Round and Square Spot flange options: Spot. Spot flange option bases: Bracket and Spike, Bracket and Weighted Base and Bracket 1" Pole Luminaires: Wayfinder, Saber and Halo
Standards:	IP68, LM79, CE, UL1838 & 2108
Light Engine:	Plug-in dimmable module equipped with the Cree® XPG3 LED
Driver:	Integral 12VAC driver In-Cable or external remote driver.

M 1

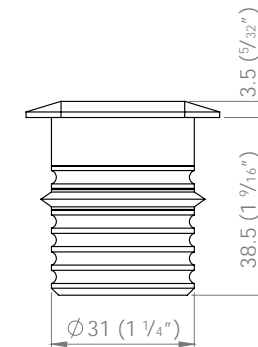
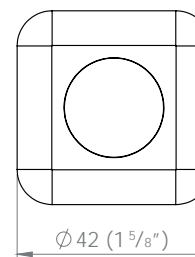
ROUND - SQUARE RECESSED



M1 Round, Stainless steel



M1 Square, Stainless steel



The M1 recessed luminaires are designed to be mounted either in the ground or floor as low profile uplighters, or in walls or steps to illuminate paths

and stairways. Suitable for outdoor and indoor installation.

Accessories:

- Constant current remote driver
- In-Cable 12 Volt AC integral driver
- Mounting Canisters (please see accessories on page 36)



WEIGHTED BASE - SPOT - BRACKET+SPIKE



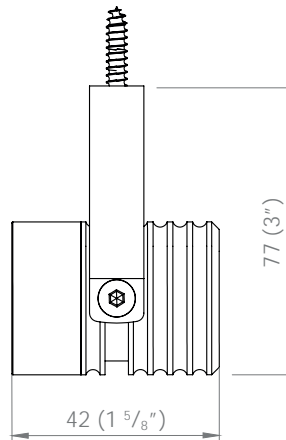
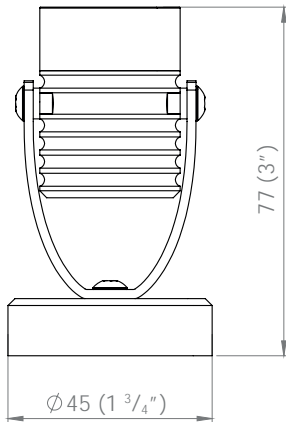
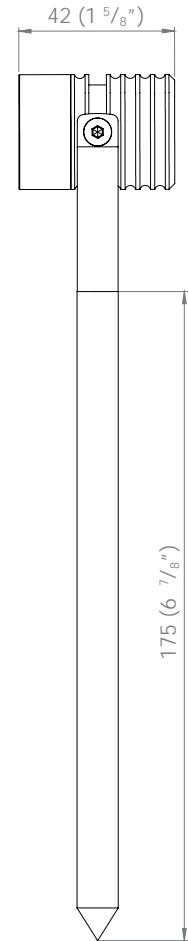
M1 spot on a weighted base, Stainless steel



M1 Spot on a bracket, Stainless steel



M1 spot on a Spike, Stainless steel



The M1 Pond, Spot and Spike luminaires are miniature spotlights with a swivel bracket that provides 90° of elevation adjustment. The Pondlight has a weighted solid base and is designed to be installed underwater. The Spot can

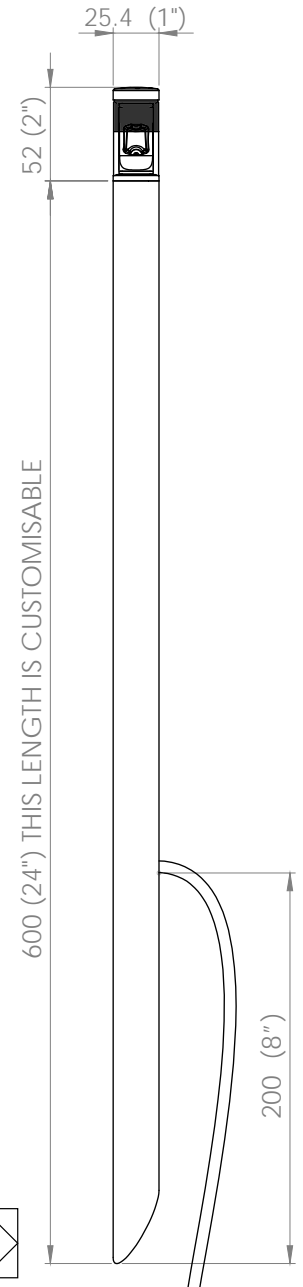
be mounted to any solid surface and the Spike is designed to be inserted directly into the ground.

Accessories:

- Constant current remote driver
- In-Cable 12 Volt AC integral driver



WAYFINDER



This one inch diameter miniature pole light provides efficient path lighting with an asymmetric low glare optic. This luminaire is available either with a spiked base for insertion directly into the ground, or with a flange mount option for installation on solid surfaces.

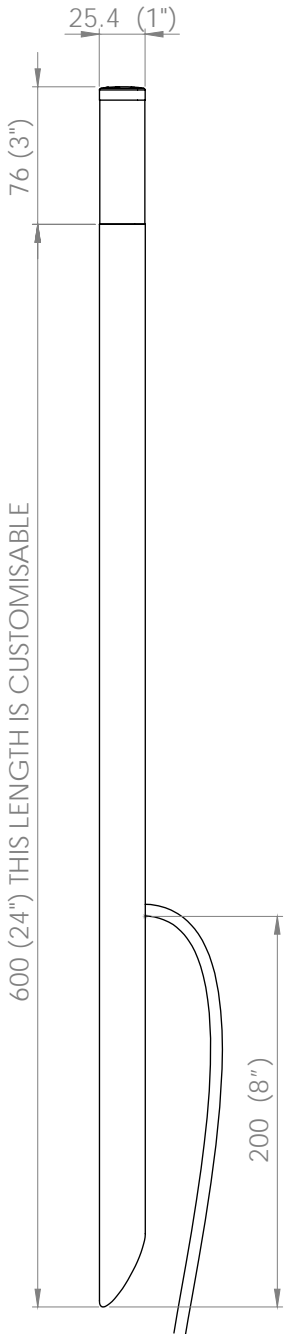
The Cree 1 Watt max LED can be easily replaced if required or substituted for a colour LED.

Accessories:

- 350mA constant current remote driver
- 12VAC, 12-24VDC integrated driver
- Flange Mount (please see page 35)



SABER



M1 Saber, Aluminium, Stainless Steel, Copper



M1 Saber, Copper



The M1 Saber is a slim, 25mm (1") diameter pole fixture designed to provide a soft glow for ambient landscape lighting, with little to no glare. This luminaire is available either with a spiked base for insertion directly into the ground, or with a flange mount option for installation on solid surfaces.

The Cree 1 Watt max LED can be easily replaced if required or substituted for a colour LED.

Accessories:

- 350mA constant current remote driver
- 12VAC, 12-24VDC integrated driver
- Flange Mount (please see page 35)



M 1

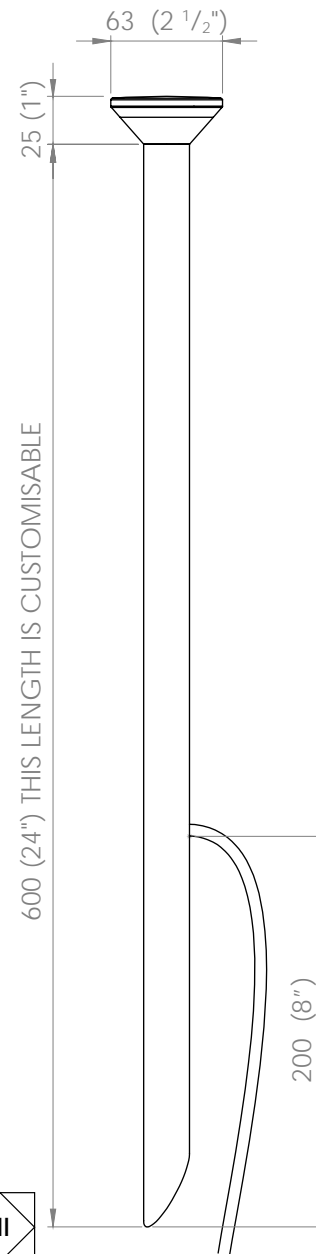
HALO



M1 Halo, Copper



M1 Halo, Copper, Stainless Steel, Aluminium



The M1 Halo is a slim, 25mm (1") diameter pole fixture designed to provide a downward 360 degree wash of light, with little to no glare. This luminaire is available either with a spiked base or with a flange mount. This product is ideal for lighting paths or down lighting small shrubs and grasses.

The Cree 1 Watt max LED can be easily replaced if required or substituted for a colour LED.

Accessories:

- 350mA constant current remote driver
- 12VAC, 12-24VDC integrated driver
- Flange Mount (please see page 35)





M1 Halo , Stainless Steel

M2

Finishes



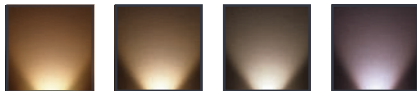
Natural Copper 316 Stainless Steel White/Black/Bronze Powdercoated Passivated Aluminium

Lens Cover



Clear Frosted Hexcell

LED Colours



Warm White 2700°K Warm White 3000°K Neutral White 4000°K Cool White 5000°K

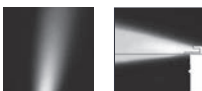


Red Green Blue Amber

Beam



8° TIR 26° 74° Oval TIR
-- Reflectors -- 15°+40°



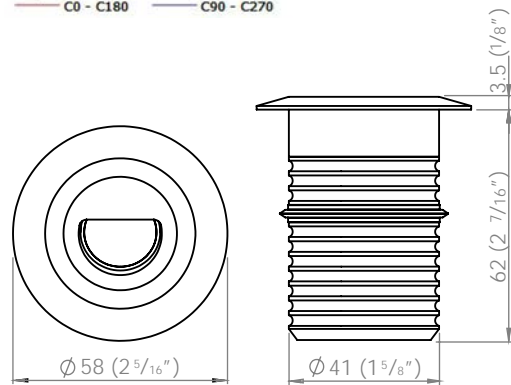
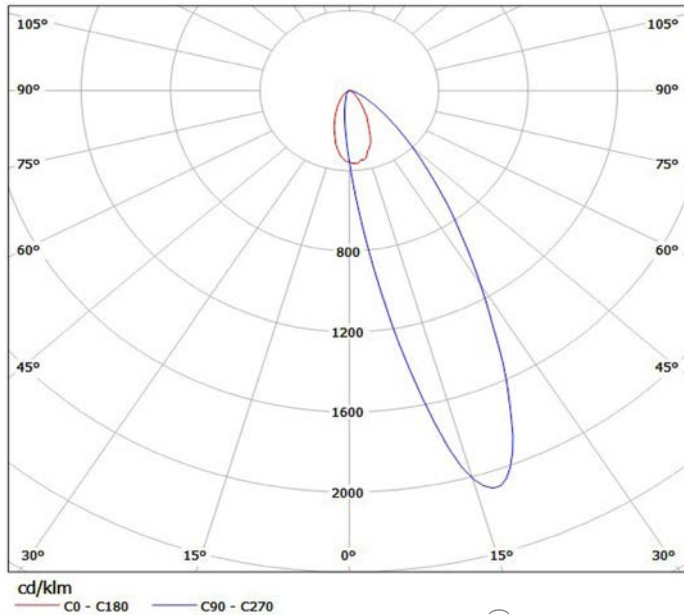
Wall Washer Path & Step & Squarelight



M2 is a range of mid-size, contemporary LED luminaires powered by a 2 watt LuxR™ light engine that offers a wide choice of LED colours. The modular design was developed to meet the challenge of delivering high quality practical accent lighting with maximum energy efficiency and a long, maintenance-free life.

Specifications	
Power:	2 Watt
Input Current:	700mA
Forward Voltage:	3vF
CRI:	90 CRI
Luminaire Efficacy:	85 Lm/W @ 700mA - Delivered from luminaire with unobstructed beam
Luminaire Options:	Recessed flange options: Round, Square, Louvre, Large Round/Square/Louvre, Path (multiple Facets), Step, Step with Slot, Darklighter, Squarelight and Wall Washer. Spot flange options: Spot, Glare Guard, Snoot and Hanging. Spot flange option bases: Bracket and Spike, Bracket and Stake, Bracket and Weighted Base and Bracket.
Standards:	IP68, LM79, CE, UL1838 & 2108
Light Engine:	Plug-in dimmable module equipped with the Cree® XPG3 LED
Driver:	Integral 12VAC driver or external constant current remote driver. Note: Luminaire consumes approximately 3.2W with 700mA integral driver.

WALL WASHER



M2 Wall Washer, Stainless steel

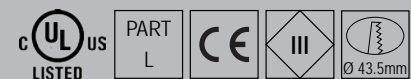
The M2 Wall Washer features a precision rectangular wall-washing optic with excellent vertical beam uniformity. The asymmetrically tilted beam ensures uniform illumination on vertical surfaces.

Suitable for M2 Round flange and large Round flange only.

Accessories:

- 700mA or 1050mA constant current remote driver

- Plug-In 12 Volt AC integral driver, 700mA or 1050m
- Several different mounting canisters (please see accessories on page 36-38)





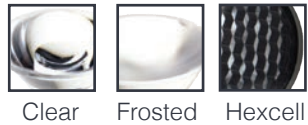
M2 & M4 Hanging Light , Brass

M4

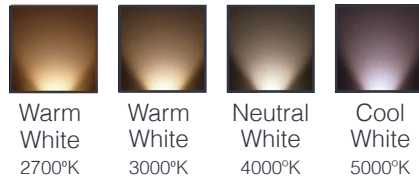
Finishes



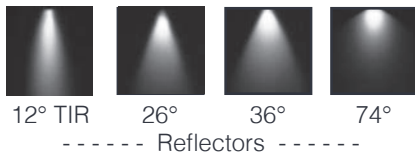
Lens Cover



LED Colours



Beam



M4 is a range of mid-size, contemporary LED luminaires powered by a 4 watt LuxR™ light engine that offers white LED colours only. The modular design was developed to meet the challenge of delivering high quality practical accent lighting with maximum energy efficiency and a long maintenance free life.

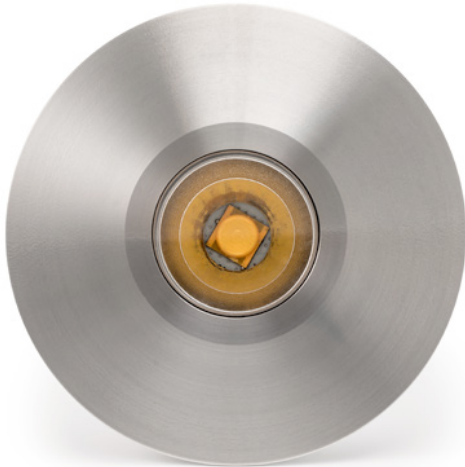
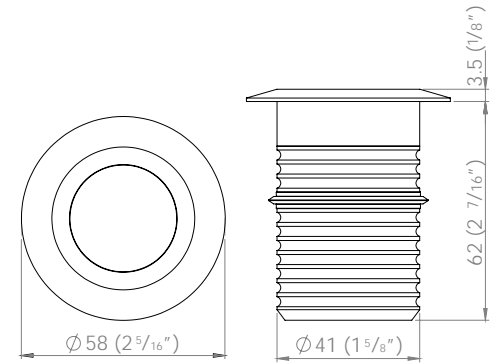
Specifications	
Power:	4 Watt
Input Current:	700mA
Forward Voltage:	6vF
CRI:	90 CRI
Luminaire Efficacy:	90 Lm/W @ 700mA - Delivered from luminaire with unobstructed beam
Luminaire Options:	Recessed flange options: Round, Square, Louvre, Large Round/Square/Louvre, Path (Multiple Facets), Step, Step with Slot, Darklighter and Squarelight. Spot flange options: Spot, Glare Guard, Snoot and Hanging. Spot flange option bases: Bracket and Spike, Bracket and Stake, Bracket and Weighted Base and Bracket.
Standards:	IP68, LM79, CE, UL1838 & 2108
Light Engine:	Plug-in dimmable module equipped with the Cree® XHP50 LED
Driver:	Integral 12V AC driver or external remote driver. Note: Luminaire consumes approximately 5.2W with 700mA integral driver.

M2 & M4

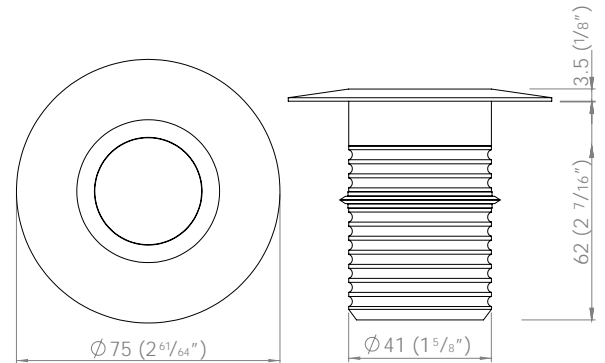
ROUND RECESSED



M2 & M4 Round, Stainless Steel



M2 & M4 Large Round, Stainless Steel



The M2 & M4 recessed luminaires are designed to be mounted either in the ground/floor as low profile uplighters, or in walls or steps to illuminate paths and stairways.

Also available in a larger format flange style to better cover oversized holes or canisters.

Accessories:

- 700mA constant current remote driver

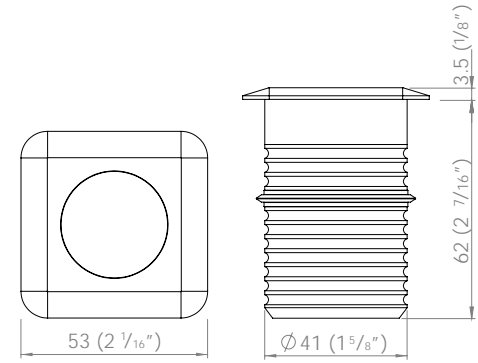
- Plug-In 12 Volt AC integral driver
- Hexcell louvre and frosted lens available
- Mounting canisters (please see accessories on page 36-38)



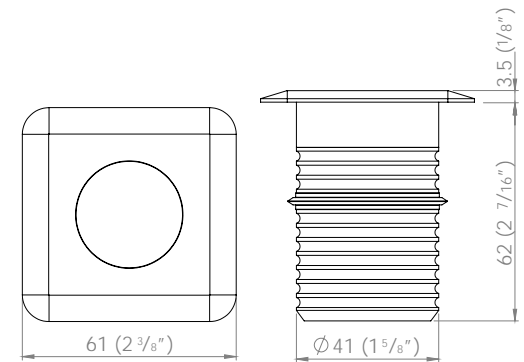
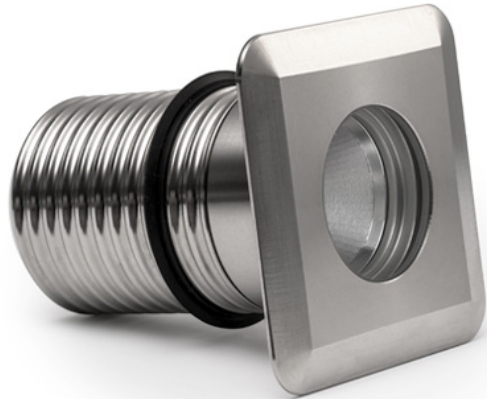
SQUARE RECESSED



M2 & M4 Square, Stainless Steel



M2 & M4 Large Square, Stainless Steel



The M2 & M4 recessed luminaires are designed to be mounted either in the ground/floor as low profile uplighters, or in walls or steps to illuminate paths and stairways.

Also available in a larger format flange style to better cover oversized holes or canisters.

Accessories:

- 700mA constant current remote driver

- Plug-In 12 Volt AC integral driver
- Hexcell louvre and frosted lens available
- Mounting canisters (please see accessories on page 36-38)

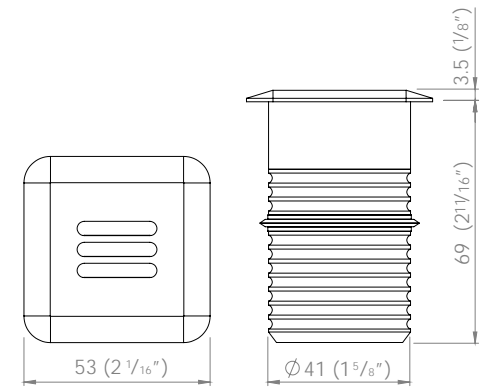
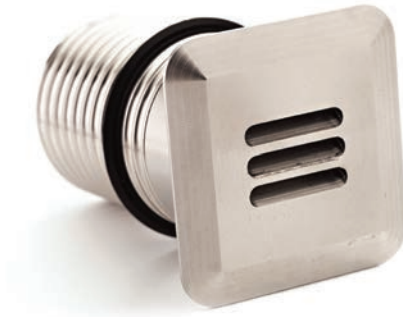


M2 & M4

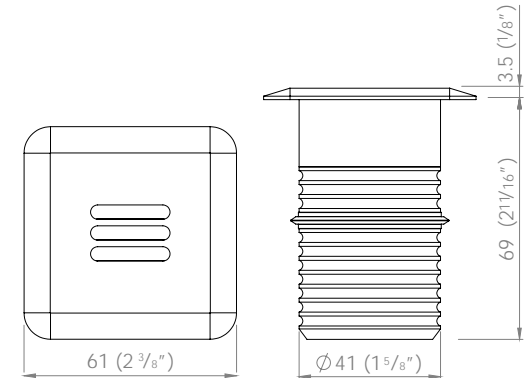
LOUVRE + LARGE LOUVRE



M2 & M4 Louvre, Stainless Steel



M2 & M4 Large Louvre, Stainless Steel



This Louvre model shields the light at a 45° angle to eliminate glare. Intended for step or wall illumination. Also available in a larger format flange style to better cover oversized mounting holes.

Accessories:

- 700mA constant current remote driver
- Plug-In 12 Volt AC integral driver
- Mounting canisters (please see accessories on page 36-38)

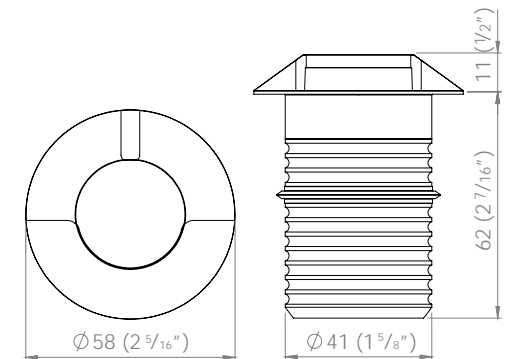
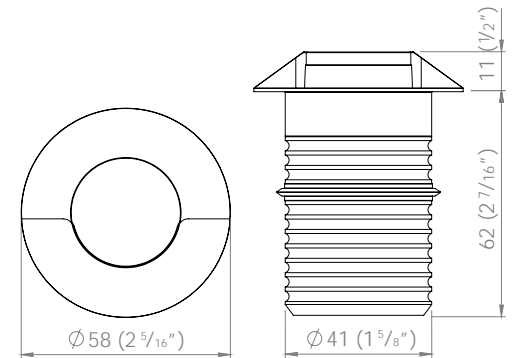
* Louvre is supplied with a frosted lens and 74 degree wide beam only.



STEPLIGHT + STEPLIGHT WITH SLOT



M2 & M4 Step, Stainless Steel



M2 & M4 Step with Slot, Stainless Steel

The M2 & M4 recessed Steplight models are designed to be mounted in walls and step risers to illuminate steps and wash walls. They feature a glass optic that orients light 5° below the horizon and 10° above. These offer low glare in almost all applications.

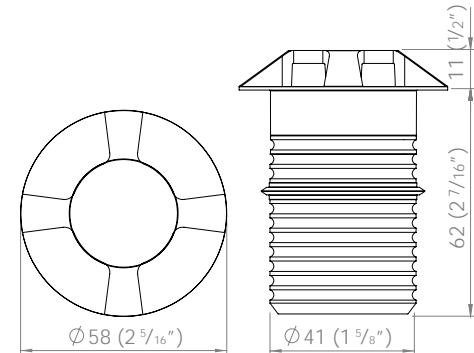
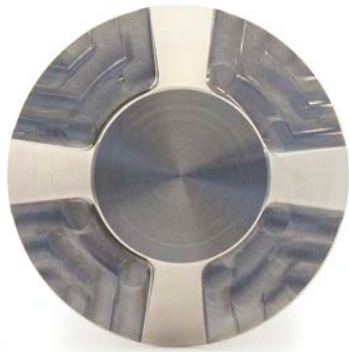
Accessories:

- 700mA constant current remote driver
- Plug-In 12 Volt AC integral driver
- Mounting canisters (please see accessories on page 36-38)

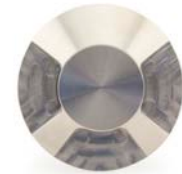


M2 & M4

PATHLIGHT



M2 & M4 PL4 Path, Stainless Steel



M2 & M4 PL1 Path, Stainless Steel

M2 & M4 PL2180 Path, Stainless Steel

M2 & M4 PL2 Path, Stainless Steel

M2 & M4 PL3 Path, Stainless Steel

The M2 & M4 recessed Pathlight is designed to be mounted in the ground to illuminate paths or steps. It features a glass optic that orients light 5° below the horizon and 10° above. These offer low glare in almost all applications.

Accessories:

- 700mA constant current remote driver
- Plug-In 12 Volt AC integral driver
- Mounting canisters (please see accessories on page 36-38)

PLEASE NOTE:

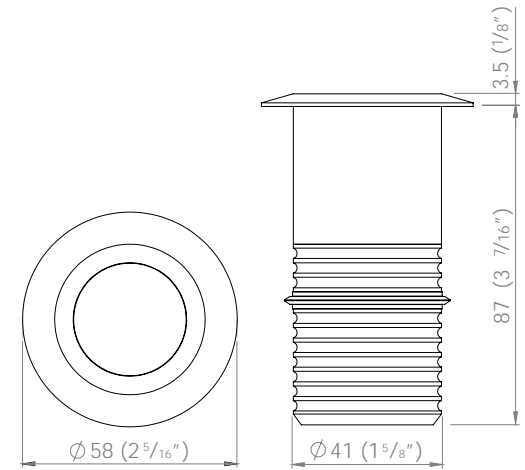
Powdercoated aluminium is not available as a Pathlight



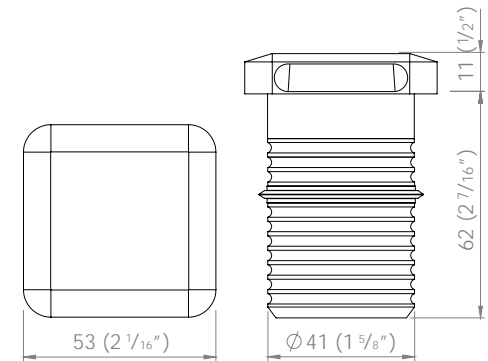
SQUARELIGHT - DARKLIGHT



M2 & M4 DarkLighter, Stainless Steel



M2 & M4 Squarelight, Aluminium



The M2 & M4 recessed Squarelight is designed to be mounted in the ground/wall to illuminate paths, and wash walls. The glass optic is recessed deep into a machined slot in the flange reducing all glare. Flange available with 1 or 2 openings.

The M2 & M4 recessed Darklighter works much like the M2 & M4 Round and Square fixtures. However it has a deep flange with an internal baffle to recess the light source deep into the product which greatly reduces glare.

Accessories:

- 700mA constant current remote driver
- Plug-In 12 Volt AC integral driver
- Mounting canisters (please see accessories on page 36-38)

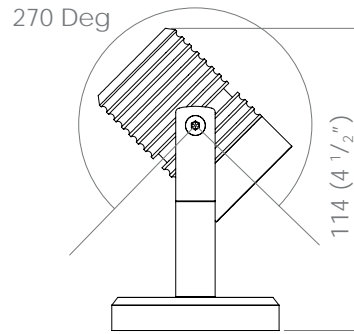


M2 & M4

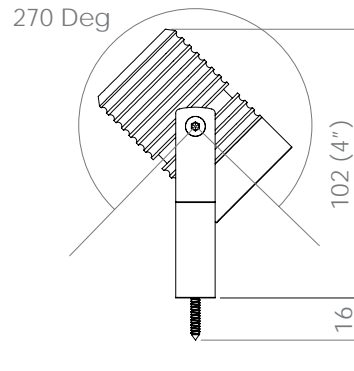
WEIGHTED BASE - BRACKET - SPIKE



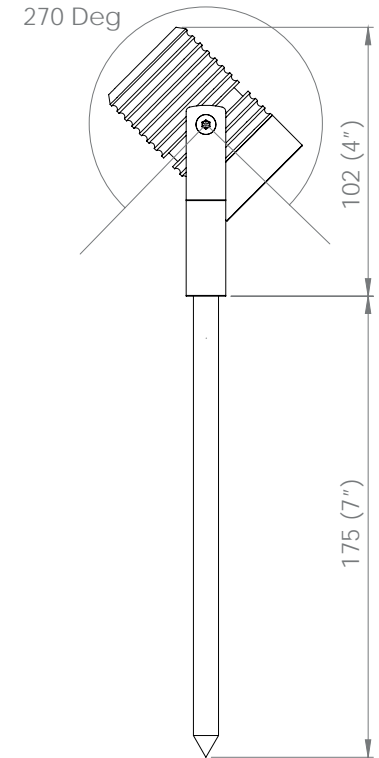
M2 & M4 spot on a weighted base, Stainless steel



M2 & M4 Spot on a bracket, Stainless steel



M2 & M4 spot on a Spike, Stainless steel



The M2 & M4 spotlight luminaires are mid-sized spotlights with a swivel bracket that provides 270° of elevation adjustment. The Pond light has a weighted base and is designed to be installed underwater.

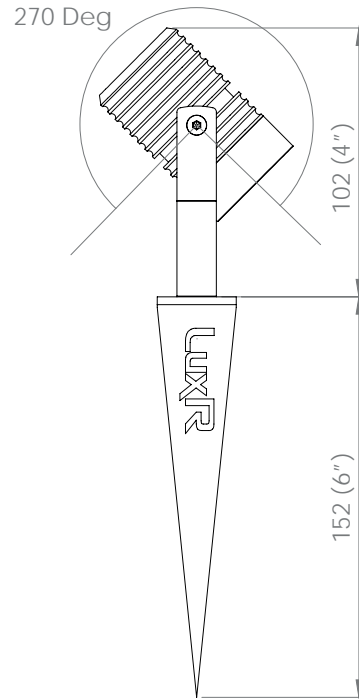
The Spot can be screw mounted to any hard surface and the Spike is designed to be inserted directly into the ground. All three can be optioned with either a Snoot or Glare Guard as pictured on the opposing page.

Accessories:

- 700mA constant current remote driver
- Plug-In 12 Volt AC integral driver
- Hexcell louvre and frosted lens available



STAKE - GLARE GUARD - SNOOT



M2 & M4 Spot on a Stake, Stainless steel



M2 & M4 Glare Guard on a Spike, Copper



M2 & M4 Snoot on a Spike, Copper

The M2 & M4 spotlight luminaires are mid-sized spotlights with a swivel bracket that provides 270° of elevation adjustment. The stake is designed to give the spot more stability in soft soil. The Glare Guard and Snoot can be adapted to any M2 & M4 Pond, Spot,

Stake and Spike fitting. This can be used in combination with a hexcell Louvre baffle if required. The Glare Guard and snoot feature a friction fit adjustable hood and the snoot features a drain hole. This is combined with a flush fitted glass to prevent water pooling.

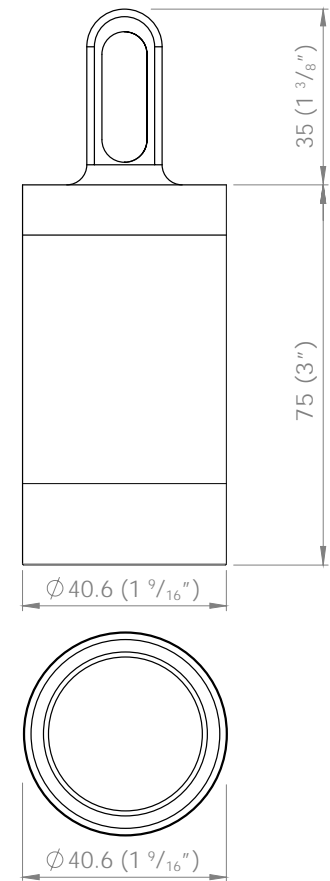
Accessories:

- 700mA constant current remote driver
- Plug-In 12 Volt AC integral driver
- Hexcell louvre and frosted lens available



M2 & M4

HANGING LIGHT



M2 & M4 Hanging Light, Brass

The M2 & M4 hanging light is designed to be suspended from a ceiling or trees to provide downwards illumination or a dynamic moon lighting effect. Includes a stainless steel cable at 3 meter (10 foot) length.

Accessories:

- 700mA constant current remote driver
- Plug-In 12 Volt AC integral driver
- Hexcell louvre and frosted lens available

* Only available in Brass





M2 & M4 Step , Stainless steel



M2 & M4 Path , Copper

M4 RGBW

Finishes



316
Stainless
Steel

Lens Cover



Clear



Frosted

LED Colours



Red



Green



Blue



Neutral
White
4000°K

Beam



Spot
20°



Medium
34°



Oval
48°+24°
(round
flange only)



Path &
Step &
Squarelight



The M4 RGBW is a mid-sized, contemporary LED luminaire which allows a DMX control system to produce any colour in the visible spectrum including pastels and various shades of white. The modular design was developed to meet the challenge of delivering high quality practical accent lighting with maximum energy efficiency and a long, maintenance-free life. The RGBW LED is superior to older RGB systems in that a range of warm white colour temperatures can be achieved.

Specifications	
Power Consumption:	4.5 Watt per luminaire maximum (all 4 colours @ 100%)
Input:	12-24V DC, DMX Data+, Data-, Data shield
Cable length:	3 metres standard
Max run length:	Cabling between the DMX signal controller and the last luminaire must not exceed 200m.
Max number bussed:	The input impedance of 12K Ohms restricts the maximum number of luminaires to 32 on a bussed network.
Addressability:	All luminaires have the default address of 1. Please note that fixtures are not individually addressable.
Standards:	IP68, LM79, CE, USITT DMX512-A, UL 1838 & 2108
Light Engine:	Plug-in dimmable module equipped with a high power Cree® 4x1 watt RGBW LED
Cabling:	Special hybrid cable comprising of: EIA-485 (aka RS-485) compliant 120 Ohm twisted pair with drain wire in a foil shield. A pair of marine grade tinned 0.75mm ² DC power conductors



M4 RGBW Step Light , Stainless

V1

Finishes



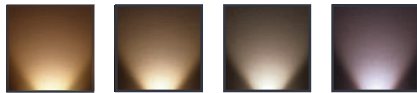
Natural Anodised Silver White/Black/Bronze Powdercoated
Passivated Aluminium

Lens Cover



Frosted

LED Colours



Warm White 2700°K Warm White 3000°K Neutral White 4000°K Cool White 5000°K

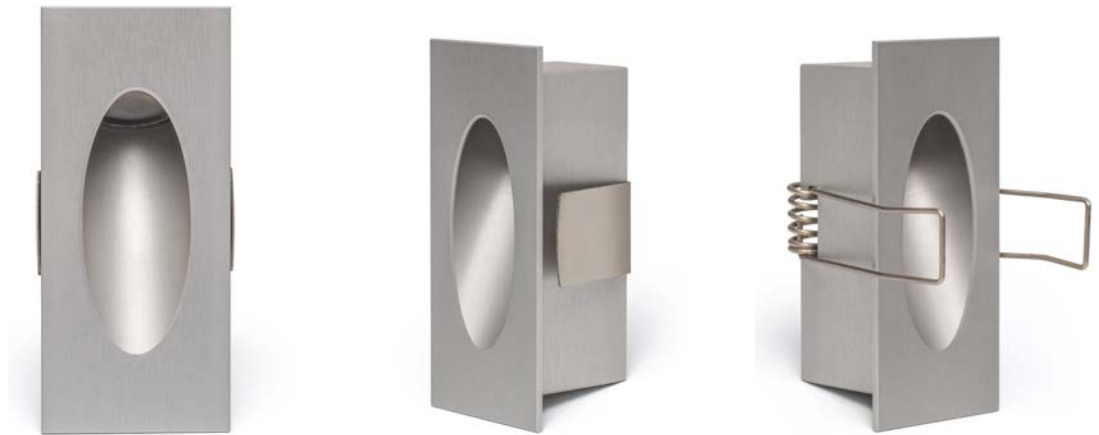


Red Green Blue Amber

Beam



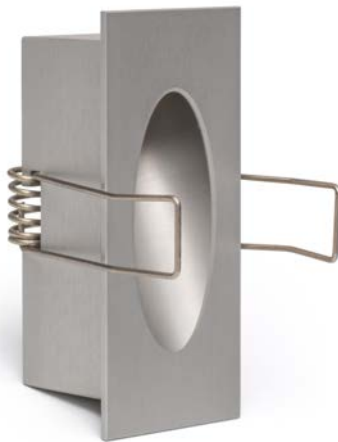
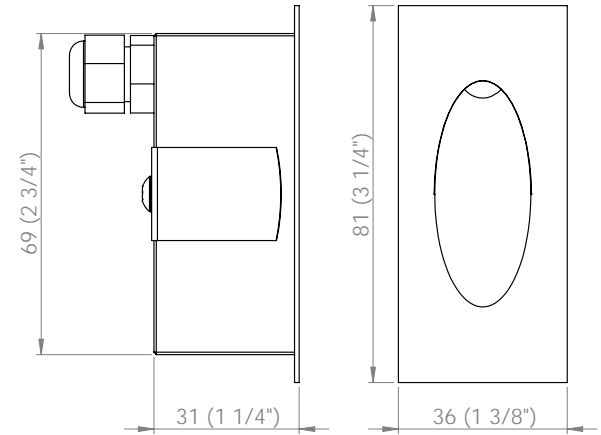
Wash



The LuxR V1 Recessed Downlight is a small low-voltage dimmable indoor/outdoor light. Designed for recessing low down into walls to project an asymmetrical wash across paths and steps. It combines an ultra discreet profile without glare and an IP65 ingress protection rating. Two retaining options are available.

Specifications	
Power:	1 Watt @ 350mA
Input Current:	<500mA or less
Forward Voltage:	3vF
CRI:	90 CRI
Luminaire Efficacy:	70 Lm/W @ 350mA - Delivered from luminaire with unobstructed beam
Canister Options:	Coil springs, Leaf spring and Leaf spring with canister
Standards:	IP65, LM79, CE, UL1838 & 2108
Light Engine:	Replaceable dimmable module equipped with the Cree® XPG3 LED
Driver:	External constant current driver required.

V1 SPRING+CLIP



Precision machined from aluminium the V1 is available in natural anodised satin silver, or in E-Coat matte powdercoat colours. Please view the LuxR website for specification sheets.

The spring clips and leaf clip are made in marine grade 316 stainless steel for longevity.

Optional aluminium canister dimensions:
 L=80 (3 5/32") x W=32 (1 17/64")
 x H=77mm (3")



ACCESSORIES

INTEGRAL 12VAC/12-24VDC DRIVER



M2 & M4 Integral driver module

Input Power: 12 VAC/12-24VDC
Output Current: 700mA
Output Power: 4W

LuxR offers an integral 700mA 12V AC phase dimmable driver and a 12-24V DC driver for the M2 & M4 models enabling the luminaire to be easily connected to an approved 12 volt AC or DC remote transformer using a PARALLEL WIRING scheme. An integral driver can also be installed in the cable antisiphon housing for micro + M1 models.

REMOTE DRIVER CONSTANT CURRENT DRIVER



TCI-MP15 Remote driver

Input Power: 100-127 VAC 220-240 VAC
Output Current: 60-360mA
Output Power: 1-15W

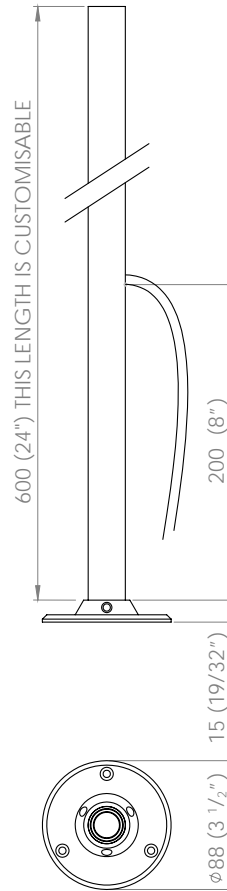
LuxR offers a small range of external remote/constant current drivers perfectly suited for power supply requirements. LuxR remote drivers allow several luminaires to be connected to a single remote driver using a SERIES WIRING scheme. If you are not completely familiar with series wiring procedures please be sure to check with your distributor or a qualified LED installer.

*Please refer to the website for more driver information

MICRO SPRING CLIP - FLANGE MOUNT



MM Recessed Spring Clip



M1 Pole Flange Mount (Wayfinder, Halo, Saber)

The MM recessed spring clips allow the product to be specified as a wall or ceiling product where a cast in conduit is not applicable or possible. Simply core a 25mm (1") hole and push the product through until the flange is flush with the mounting surface.

The M1 25mm (1") pole flange mount can be specified in Aluminium, Copper and Stainless Steel. To mount the flange find a suitable flat surface and drill 3 holes using the flange as a template. Once drilled, mount the luminaire in place.

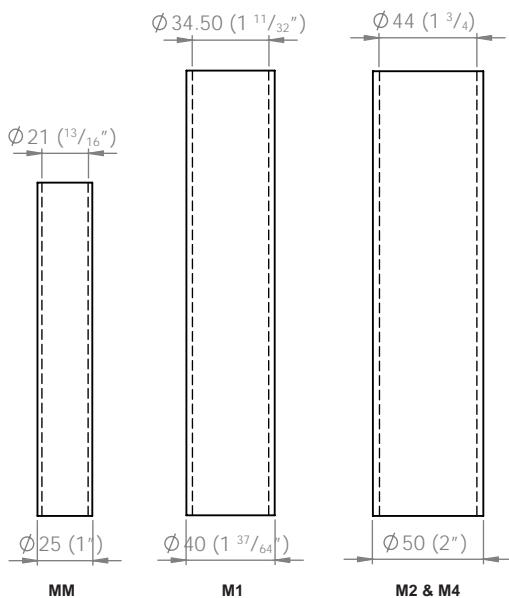
Please visit the LuxR website for detailed specification sheets which includes a recommended installation method for each mounting product.

LUXR ACCESSORIES

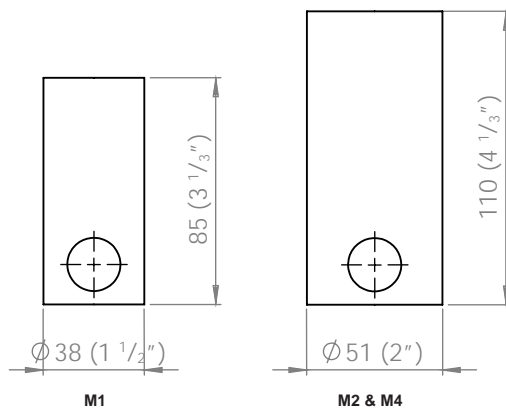
PVC - ALUMINIUM - CANISTERS



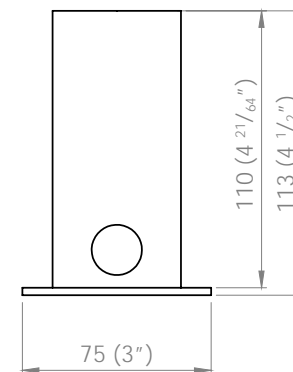
MM, M1, M2, M4 PVC Canisters



M1, M2, M4 Aluminium Canisters



M2, M4 Aluminium Floor Canister



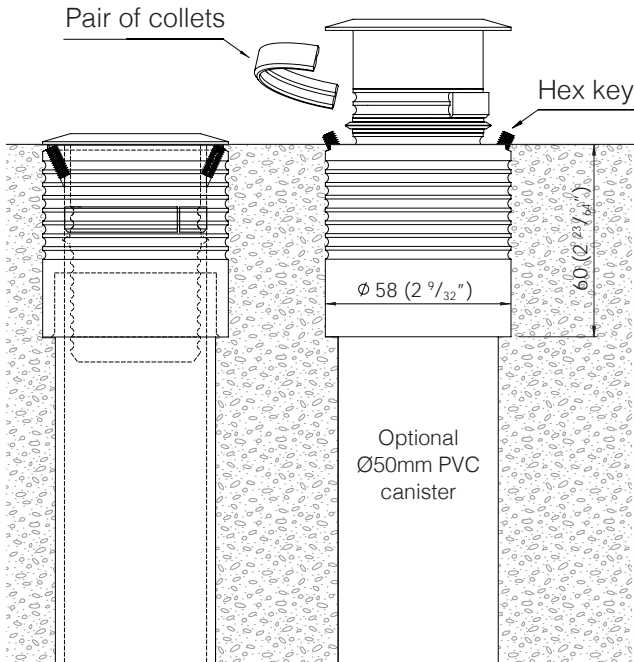
The M2 & M4 recessed canisters are constructed of PVC and Aluminium. These mounting canisters simplify the installation of LuxR fixtures. Designed to be cast or cored into the wall or ground. The luminaire is easily pushed inside the

canister and is held in place with its silicon rubber lip seal.

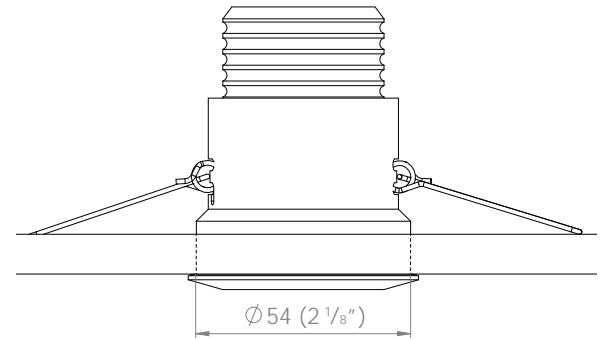
An added floor canister model makes tying or hard fixing the canister in place before casting easy.

Please visit the LuxR website for detailed specification sheets which includes a recommended installation method for each mounting product.

SECURITY - CEILING/WALL MOUNT



M2, M4 Security Canister



M2, M4 Ceiling/Wall Mount Canister



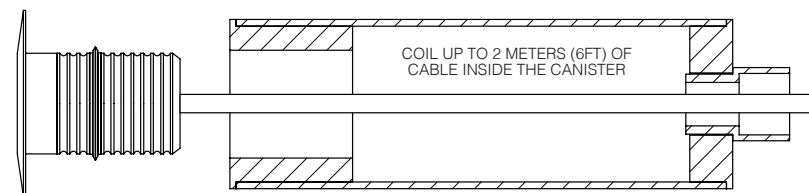
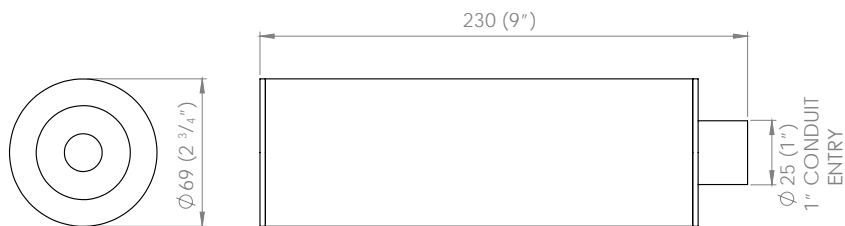
The M2 & M4 recessed Security Canister is constructed of PVC. The canister is to be cast or bonded into the ground or wall, and is completely concealed by the luminaire's round flange. PVC retaining collets prevent the luminaire from being removed fully unless the two stainless steel set-screws are extracted.

The M2 & M4 Wall and Ceiling mount spring canister. Larger Format flange models are recommended with this canister.

Please visit the LuxR website for detailed specification sheets which includes a recommended installation method for each mounting product.

LUXR ACCESSORIES

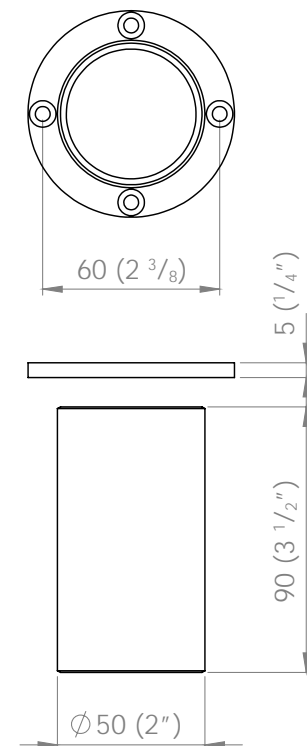
POOL (USA ONLY) - DECK MOUNT



M2, M4 Pool Canister (USA ONLY)



M2, M4 Deck Mount Canister



The M2 & M4 Pool canister is constructed of PVC. The canister can be cast in place or a 70mm (2 $\frac{3}{4}$ ") hole can be cored for easy installation. The M2 & M4 pool fixture can ONLY be specified with a large round flange.

The M2 & M4 Deck mounting canister is constructed of Aluminium. Use a 50mm (2") hole saw to cut a circular hole. Mount the threaded ring to the underside of the hole and thread the tube through the ring until it is flush with the mounting surface.

Please visit the LuxR website for detailed specification sheets which includes a recommended installation method for each mounting product.

WARRANTY

LuxR products are manufactured from the highest quality materials and are designed to provide many years of reliable service when correctly installed. Our modular construction ensures that all components, including the LED Board and Internal Driver, can be easily disassembled for maintenance. Our confidence in the quality of our products is demonstrated by the comprehensive warranty that comes with all LuxR luminaires:

Confidence Body Warranty

Copper and stainless steel body and flanges on all LuxR luminaires have a 10 year warranty against defective workmanship and deterioration while the aluminium body and flanges have a 5 year warranty. Both warranties are subject to standard conditions listed below:

Confidence Electronics Warranty

The electronic components in all LuxR luminaires have a 5 year warranty against defective workmanship and failure, subject to standard conditions listed below:

Standard Conditions:

- The environment in which the luminaire is to be installed must be considered carefully when selecting the finish. Solid copper and stainless steel luminaires are recommended for corrosive environments such as near salt water. Aluminium fixtures may not be covered by the full warranty in these situations.
- Stainless steel requires regular cleaning in salt air environments to protect against crevice corrosion and tea staining in particular.
- Warranty excludes impact damage, incorrect installation and incorrect re-assembly.
- Luminaires must be kept properly maintained, including replacement of gaskets whenever they are serviced.
- LuxR, at its discretion, may replace components or the complete fixture.
- LuxR warranty is limited to the repair or replacement of products ONLY, labour charges will not be accepted.
- LuxR reserves the right to replace components or provide remedial repair service.
- LuxR will not be liable for any labour charges for any repair or replacement of defective drivers. Drivers have their own manufacturer warranty and any faults will be at the responsibility of the manufacturer.
- LuxR Limited reserves the right to limit liability on nonstandard luminaires or delivery arrangements.
- LuxR fixtures should not be pressure washed. If fixtures are pressure washed this will void warranty on replacement parts.
- Warranty is excluded for corrosion due to electrolytic reactions caused by the presence of electrical current in the ground or water.

INSTALLATION

To preserve the validity of your warranty and ensure the long term performance of your LuxR products, it is critical to follow the correct installation procedures. Your distributor will be happy to provide you with advice and any additional information you may need.

Please note these important tips:

- The installation of LuxR luminaires must be carried out by a suitably qualified person in accordance with local and/or international standards. When working on an electrical system all precautions should be taken to prevent electrical shock.
- An LED can be damaged in an instant, and this may not be immediately obvious, therefore it is important to plan and check your install before you start.
- The LuxR range is designed to be connected in series to a remote constant current driver if no integral driver is fitted. Or in parallel to a 12vAC power supply where a integral driver is fitted. When connecting the LED fixture careful attention should be paid to the polarity.

CARE + REFINISHING

LuxR recommends the following cleaning methods only.

If you're unsure of what finish you have for any reason, please get in touch and supply some images.

Do not use oven cleaner under any circumstances

Powdercoat finishes

Wipe over gently with a damp soft cloth or chamois and a non abrasive cleaner. Do not use metal polishing compounds like Brasso¹, Autosol², etc.

Stainless Steel

316 marine grade stainless steel bodies and silver fasteners:
Scrub with a nylon brush, detergent and water
Specialist stainless steel brightening gels are available but be aware that they are highly corrosive to other surfaces.

Living Finishes

Natural copper components:

It is not essential that these finishes are cleaned as they will continue to patina over time.

Wipe over with a damp soft cloth or chamois with detergent and water. When dry, a liquid furniture creme polish such as Neopol³ or Pledge Shine-Up⁴ can be applied, and the excess wiped off, which will even out and darken the natural patina slightly.

Do not use metal polishing compounds like Brasso, Autosol, etc

Refinishing

Refinishing is a straightforward process for all, except powdercoated finishes.

Contact LuxR to discuss in detail.

¹ Brasso is a trademark of Reckitt Benckiser Plc (UK)

² Autosol is a trademark of Autosol LLC (USA)

³ Neopol is a trademark of Bushland Products Pty Ltd (AUS)

⁴ Pledge Shine-Up is a trademarks of S. C. Johnson & Son (USA) It is also known as Pronto, Pliz and Blem

ENVIRONMENT

LuxR is committed to creating premium-quality, contemporary LED luminaires that will endure the test of changing tastes and trends, while keeping pace with constant advances in lighting technology.

We believe that the building industry must play an important role in reducing the negative impact of construction activity and, at the same time, assist people to realise their desires for increasingly improved living and work environments.

LuxR delivers on that belief by designing lighting solutions that are contemporary, effective, long lasting, and that help our customers to minimise the waste of resources.

- LuxR products are easily disassembled and all parts are recyclable.
- We minimise the number of different types of material used in each product for simplified recycling
- We do not use environmentally harmful coatings, such as chrome plating.
- All our metal selections are easily recyclable.
- Our copper products have a natural “living” finish, developing a patina that evolves over time. We can offer an accelerated patina aged-finish on request.
- Our aim is to source as many materials and processes as possible from within a 20 kilometre radius of our manufacturing plant in Auckland, New Zealand.
- Our packaging is made primarily of paper derived materials, including as much post-consumer recycled content as commercially possible.
- LuxR will continue to explore options for further reducing the environmental impact of our manufacturing processes.

NOTES





Proudly made in New Zealand

www.luxrled.com

LuxR Limited Head Office
130 Felton Matthew Avenue
Glen Innes, 1072 , Auckland
New Zealand



Langfeldstrasse 24
CH-4528 Zuchwil SO

Email: info@xaxada.com
Web: gartenbeleuchtung.shop